

L213 L215 L218 L220 L223 L225
L227 L232

200 SERIES SKID STEERS LOADERS/COMPACT TRACK LOADERS



| | L213 | L215 | L218 | L220 | L223 | L225 |
|--|-------------|-------------|-------------|-------------|-------------|-------------|
| ENGINE POWER | 46 hp | 52 hp | 60 hp | 60 hp | 74 hp | 82 hp |
| OPERATING WEIGHT | 2270 kg | 2400 kg | 2660 kg | 2900 kg | 3350 kg | 3580 kg |
| RATED OPERATING CAPACITY (@50% OF TIPPING LOAD) | 590 kg | 680 kg | 818 kg | 905 kg | 1020 kg | 1135 kg |

| | C227 | C232 |
|--|---------------|---------------|
| ENGINE POWER | 74 hp - 55 kW | 82 hp - 61 kW |
| OPERATING WEIGHT | 3720 kg | 4370 kg |
| RATED OPERATING CAPACITY (@50% OF TIPPING LOAD) | 1225 kg | 1451 kg |



BUILT AROUND YOU

L213/L215/L218/L220/

200 SERIES SKID STEER LOADERS & CO



**THE BEST BOOM
ON THE MARKET!**

**MANY
ATTACHMENTS
TO EXPAND
YOUR BUSINESS
OPPORTUNITIES!**

L223/L225/C227/C232

COMPACT TRACK LOADERS



**A COMFORTABLE
AND SAFE
WORKSPACE!**

**BEST-IN-CLASS
SERVICEABILITY!**

**LONG WHEELBASE:
SUPERIOR
STABILITY**

THE BOOM

BEST-IN-CLASS DUMP HEIGHT AND REACH

The re-designed vertical lift geometry of the SUPER BOOM[®] enables operators to load material right in the centre of the truck bed. In addition, its pivot point is very close to the machine's centre of gravity, resulting in exceptional stability of the machine at work. The patented New Holland SUPER BOOM[®] is standard on L218; L220; L223; L225 and C232.



NO BOUNCE WITH GLIDE RIDE

The Glide Ride optional feature prevents the arm from bouncing when travelling on rough terrain, ensuring the bucket stays full and enhancing operator comfort.





LOADING EFFICIENCY WITH SELF-LEVELLING

The optional self-levelling system provides increased attachment control since the bucket stays parallel to the ground during loader raise operations, preventing material spillage and increasing precision on load handling operations

RADIAL MODELS GOOD FOR DIGGING

The 200 Series includes three new radial lifting Models, L213, L215 and C227, that deliver a huge increase in bucket and lift breakout forces compared to the previous models. Radial models are also suitable for applications where maximum reach is needed at medium height; On our radial models for example, at 719 mm height the reach is 1109 mm!

| | ENGINE POWER (hp) | BUCKET BREAKOUT FORCE (kN) | LIFT BREAKOUT FORCE (kN) |
|-------------|-------------------|----------------------------|--------------------------|
| L150 | 38 | 15.6 | 10.7 |
| L160 | 46 | 16.5 | 12.6 |
| L213 | 46 | 18.5 | 19 |
| L215 | 52 | 18.5 | 19 |

THE TRACK LOADERS



MASTERS OF SLIPPERY TERRAINS

Our dozer-style undercarriage is engineered to hold fast on steep slopes and take command of muddy or sandy terrain. The undercarriage has a rigid track frame with fewer moving parts, so it is more durable and easier to maintain than suspension track systems.

SMART UNDERCARRIAGE TECHNOLOGY

Avoid de-tracking!

Avoid de-tracking on inclines with the crawler-style rollers that have a larger inner diameter flange positioned between the track tabs.

Easy track clean-out!

The elevated drive sprocket increases component life by keeping the motor assembly out of material and moisture.

A lifetime undercarriage!

Sealed oil lubricated rollers and idlers grant an extended life of the undercarriage.



200 SERIES ARE DESIGNED TO INCREASE PRODUCTIVITY

- Superior dump angle (up to 55° on vertical models!) provide fast cycle times and improve productivity, since it is easier and faster to empty all the load of your bucket
- Fuel efficient engines combined with bigger fuel tanks (60,5 ; 75,5 and 96,5 liter) allow you to work all day long without refueling
- Counterweights allow you to increase your Rated Operating Capacity up to 18%!

COMPACT TRACK LOADERS “GET THINNER”

Our new chassis allows a machine overall width of less than 2 meters. This makes it easy to load and unload the machine on trailers for easy transportation.



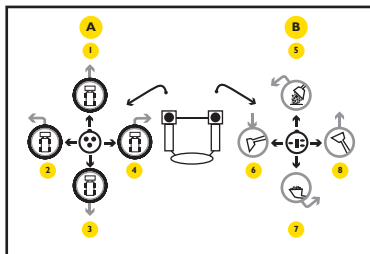
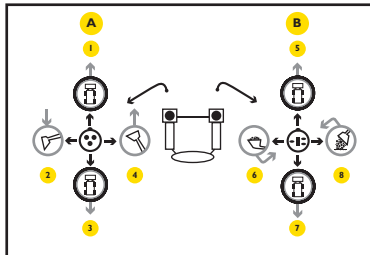
LESS THAN 2.0 METERS!

A DELUXE CAB



COMFORT CAB

The new cab offers best-in-class comfort, with plenty of head and leg room. The good news is that the wide cab is standard on every model, big or small.



The flat floor gives more freedom to your feet.

The mechanical suspension or heated air suspension seats add to the operator's comfort. On the models with the front door the cab is sealed and pressurised, this means that dust and water stay outside and the noise level is significantly reduced.



CONTROLS BUILT AROUND YOU

Infinite proportional controls are standard on all models! What's more, electro-hydraulic controls make it easy to switch from ISO to H-pattern with one button, adapting to the operator's preferences and habits.

SUPERIOR VISIBILITY

TWICE THE VISIBILITY AROUND THE WORKSITE MEANS... SAFETY!

Front visibility: Not only is the cab very wide, also the threshold has been lowered to give excellent visibility on the cutting edge of the bucket.

Side visibility: the much larger side windows allow you to keep an eye on the wheels or tracks, and therefore have full control over the machine providing great visibility to the outside as well. Thinner side screen grids and front pillars also contribute to the outstanding visibility.

Rear visibility: the rear window is even bigger than before!

Sky view: the see-through area on the cab roof provides a clear view to the bucket, even when it is positioned at full height. Thanks to stability and visibility our machines are safer. Jump in, you will see it for yourself!

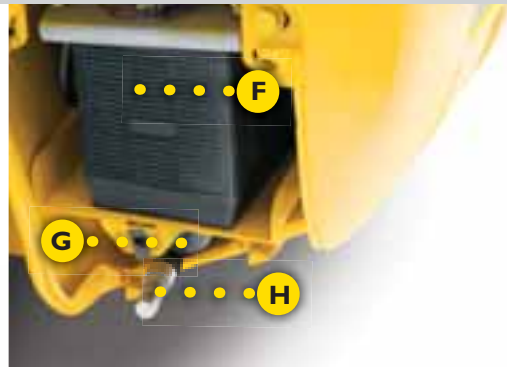


INSTRUMENT DISPLAY AT EYE LEVEL

Our machine has been designed in a way that allows you to keep an eye on your bucket or attachment and check the machine display at the same time!



EASY MAINTENANCE



- A - Hydraulic oil fill
- B - Engine oil fill
- C - Air filter
- D - Fuel fill
- E - Engine oil check
- F - Battery

- G - Engine oil filter
- H - Engine oil drain

EASY ACCESS

When routine maintenance is easy it gets done! The service points are grouped and easily accessible from the rear compartment door.

TWO BOLTS AND THE CAB IS UP!

The cab tilting system is very simple and only requires the release of two bolts: the new flip-top cab tilts forward for complete component access.





SAFETY IS A PRIORITY

The boom can be locked in the upper position from inside the cab allowing maintenance to be carried out safely. When the cab is tilted an automatic system locks it granting operator's safety.



CONVENIENT BATTERY ACCESS AND GREASING POINTS

The battery and engine oil are very easy to replace and are easily accessed by removing a cover on the left side of the rear quarter. Changing the engine and hydraulic oil has never been so easy with the lateral drain hoses!

THE ATTACHMENTS

200 SERIES GIVE YOU MANY BUSINESS OPPORTUNITIES

New Holland skid steer loaders and compact track loaders are masters of versatility, since they can tackle with ease an astonishing variety of tasks thanks to the wide range of attachments available



WHEEL EXCAVATOR



| WHEEL WIDTH (mm) | DEPTH (mm) | WEIGHT (kg) | FLOW | COMPATIBLE NH MOD. |
|------------------|------------|-------------|------|--------------------|
| 130 | 150-450 | 1155 | High | L223 and bigger |
| 130 | 200-600 | 1260 | High | L218 L220 C227 |

APPLICATION: Trenching jobs on hard, compact materials like asphalt and concrete, digging trenches on roads or in areas where movement is restricted.

WHEEL COMPACTOR



| WHEEL WIDTH (mm) | DEPTH (mm) | WEIGHT (kg) | FLOW | COMPATIBLE NH MOD. |
|------------------------|------------|-------------|------|--------------------|
| 200-250 300-350-400 | 0-750 | 550 | Std | L223 and bigger |

APPLICATION: Compacting the bed of a trench before adding an asphalt surface layer.

ASPHALT FLOAT



| WIDTH (mm) | DEPTH (mm) | WEIGHT (kg) | FLOW | COMPATIBLE NH MOD. |
|------------|------------|-------------|------|--------------------|
| 1900 | N.A. | 620 | Std | L218 and bigger |

APPLICATION: Backfilling of trenches and widening road surface while maintaining the road's original gradient.



CONNECT UNDER PRESSURE

The attachments are easy and fast to change with the standard Connect Under Pressure feature. Pressure is automatically released when the auxiliary line is disconnected. No wrenches are needed. In addition, the optional hydraulic attachments coupler increases uptime and productivity on the jobsite by allowing operators to exchange attachment quickly and safely without getting off the cab.



PLANER



| WIDTH (mm) | DEPTH (mm) | WEIGHT (kg) | FLOW | COMPATIBLE NH MOD. |
|------------|------------|-------------|------|--------------------|
| 350 | 0 - 110 | 590 | Std | L218 and bigger |
| 450 | 0 - 150 | 790 | High | L218/L220/C227 |
| 600 | 0 - 170 | 950 | High | L223 and bigger |
| 1.000 | 0 - 130 | 1.090 | High | L223 and bigger |

APPLICATION: Planning on asphalt or concrete. Overlaying road, industrial and courtyard surfaces. Maintenance of stretches of road. Restoration of damaged, bumpy or worn surfaces.

BROOM BUCKET



| WIDTH (mm) | WEIGHT (kg) | COMPATIBLE NH MOD. |
|------------|-------------|--------------------|
| 1525 | 225 | L213 L215 |
| 1680 | 278 | L218 L220 |
| 1850 | 460 | L218 and bigger |
| 2080 | 522 | L223 L225 C232 |

APPLICATION: Clearing yards, roads, footpaths, etc. Also efficient for snow clearance.

THE ATTACHMENTS



BACKHOE



| WIDTH (mm) | DEPTH (mm) | WEIGHT (kg) | FLOW | COMPATIBLE NH MOD. |
|------------|------------|-------------|------|--------------------|
| 1500 | 2275 | 700 | Std | L220 and smaller |
| 1500 | 3000 | 790 | Std | L218 and bigger |
| 1500 | 3500 | 860 | Std | L223 and bigger |

APPLICATION: Creation of trenches, foundations, drain and irrigation channels, etc. in private or public constructions, both for new or maintenance jobs.

CEMENT MIXER



| WIDTH (mm) | DEPTH (mm) | WEIGHT (kg) | FLOW | COMPATIBLE NH MOD. |
|------------|------------|-------------|------|--------------------|
| 1250 | 200 | 280 | Std | L213 L215 |
| 1500 | 300 | 300 | Std | L218 and bigger |
| 1660 | 350 | 380 | Std | L223 and bigger |
| 1700 | 400 | 450 | Std | C232 |

APPLICATION: Production of cement for civil construction in isolated or difficult-to-access areas, or with limited availability of electric energy.

COMPACTION ROLLER



| WIDTH (mm) | DEPTH (mm) | WEIGHT (kg) | FLOW | COMPATIBLE NH MOD. |
|------------|------------|-------------|------|--------------------|
| 1100 | N.A. | 787 | Std | All |

APPLICATION: Ground preparation through compaction of earth, gravel, sand, etc.



FARM FORK



| WIDTH (mm) | WEIGHT (kg) | COMPATIBLE NH MOD. |
|------------|-------------|--------------------|
| 1525 | 153 | L213-L215 |
| 1680 | 170 | L218-L220 |
| 1850 | 185 | L218 and bigger |
| 2080 | 242 | L223-L225-C232 |

APPLICATION: General farm yard applications.

FORK AND GRAPPLE



| WIDTH (mm) | WEIGHT (kg) | COMPATIBLE NH MOD. |
|------------|-------------|--------------------|
| 1525 | 250 | L213-L215 |
| 1680 | 260 | L218-L220 |
| 1850 | 310 | L218 and bigger |
| 2080 | 380 | L223-L225-C232 |

APPLICATION: "Mucking out" bale and silage handling. Also suitable for industrial applications.

BALE SPIKE



| FORK LENGTH (mm) | WEIGHT (kg) | COMPATIBLE NH MOD. |
|------------------|-------------|--------------------|
| 980 | 79 | All |

APPLICATION: Handling of round bales.

THE ATTACHMENTS



WIDE RANGE OF BUCKETS



DIRT & FOUNDRY
LOW PROFILE
LOW PROFILE EXTENDED
HEAVY DUTY
MANURE/SLURRY
LIGHT MATERIAL

| WIDTH (mm) | COMPATIBLE NH MOD. |
|------------|--------------------|
| 1525 | L218-L220 |
| 1680 | L218-L220 |
| 1830 | L223-L225 |
| 1850 | L223-L225-C227 |
| 2080 | L223-L225-C232 |

APPLICATION: Digging, excavating, grading, material handling.

4XI MULTIPURPOSE BUCKET



| WIDTH (mm) | WEIGHT (kg) | COMPATIBLE NH MOD. |
|------------|-------------|--------------------|
| 1525 | 253 | L213-L215 |
| 1680 | 283 | L218-L220 |
| 1850 | 340 | L218 and bigger |
| 2080 | 435 | L223-L225-C232 |

APPLICATION: Applications as conventional bucket, grab for back filling or as a dozer.

HIGH TIP BUCKET



| WIDTH (mm) | WEIGHT (kg) | COMPATIBLE NH MOD. |
|------------|-------------|--------------------|
| 1525 | 364 | L213-L215 |
| 1680 | 285 | L218-L220 |
| 1850 | 352 | L218 and bigger |
| 2080 | 496 | L223-L225-C232 |

APPLICATION: Increase dump height by 800 to 1.200 mm.

PALLET FORK



| FORK LENGTH (mm) | WEIGHT (kg) | COMPATIBLE NH MOD. |
|------------------|-------------|--------------------|
| 1000 | 160 | C227 and smaller |
| 1100 | 164 | C227 and smaller |
| 1200 | 168 | All |

APPLICATION: Handling of palletized loads.



Not all the attachment range is listed in this brochure, for complete list check P&S attachment catalogue.

HAMMERS



| WIDTH (mm) | DEPTH (mm) | WEIGHT (kg) | FLOW | COMPATIBLE NH MOD. |
|------------|------------|-------------|------|--------------------|
| N.A. | N.A. | 160 | Std | L213 L215 |
| N.A. | N.A. | 210 | Std | L213 L215 |
| N.A. | N.A. | 275 | Std | L218 and bigger |
| N.A. | N.A. | 370 | Std | L223 and bigger |
| N.A. | N.A. | 505 | High | L223 and bigger |

APPLICATION: Concrete demolition jobs, trenching and general excavation work.

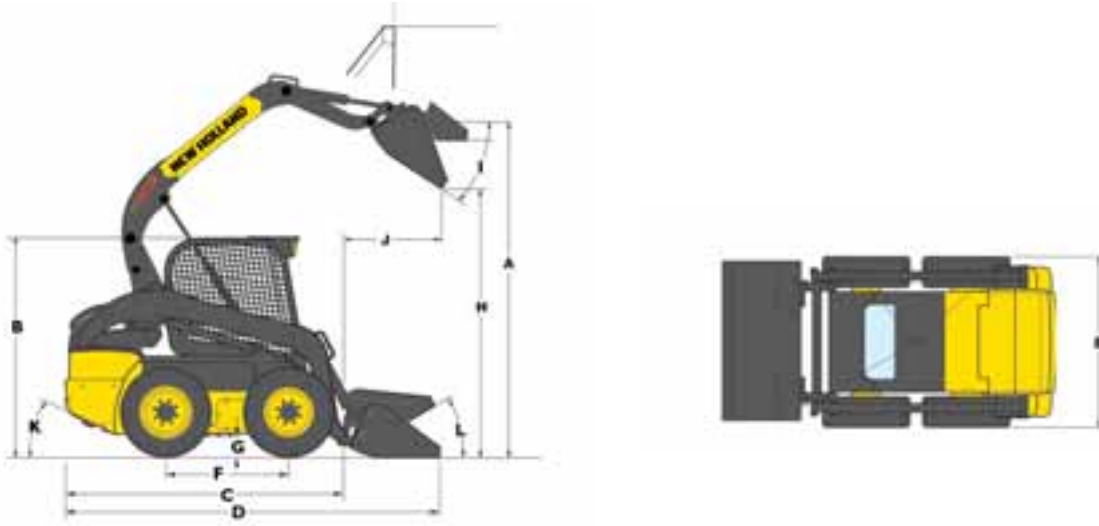
AUGER (STD FLOW) / AUGER (HIGH FLOW)



| AUGER MAX DIAM. (mm) | DEPTH (mm) | WEIGHT (kg) | FLOW | COMPATIBLE NH MOD. |
|----------------------|------------|-------------|------|--------------------------------|
| 760 | 1200 | 20-175 | Std | All |
| 900 | 1200 | 30-225 | High | L218 and bigger with High Flow |

APPLICATION: Boring of holes in the ground such as telegraph poles, electricity pylons, signposts, metallic frame pillars, tree and shrub planting.

DIMENSIONS

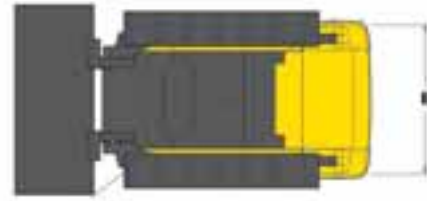


| | | L213 | L215 | L218 | L220 |
|--|----|-------|-------|-------|-------|
| A - Height to Bucket Hinge Pin | mm | 2.845 | 2.845 | 3.048 | 3.073 |
| B - Height to Top of ROPS | mm | 1.919 | 1.919 | 1.974 | 1.998 |
| C - Length without attachment | mm | 2.435 | 2.435 | 2.685 | 2.685 |
| D - Length with bucket * | mm | 3.028 | 3.028 | 3.352 | 3.338 |
| E - Overall Width | mm | 1.518 | 1.518 | 1.678 | 1.755 |
| F - Wheelbase | mm | 941 | 941 | 1.128 | 1.128 |
| G - Ground Clearance | mm | 178 | 178 | 178 | 203 |
| H - Dump height * | mm | 2.246 | 2.246 | 2.377 | 2.402 |
| I - Dump Angle | ° | 40° | 40° | 52° | 52° |
| J - Dump Reach @ Max Height | mm | 469 | 469 | 783 | 758 |
| K - Angle of Departure | ° | 22° | 22° | 23° | 25° |
| L - Rollback Angle (Bucket on Ground) | ° | 26° | 26° | 35° | 34° |

*With D&F Bucket

SPECIFICATIONS

| | | L213 | L215 | L218 | L220 |
|--------------------------------|------|----------------------|--------------------|--------------------|--------------------|
| PERFORMANCE SPECS | | | | | |
| Rated Operating Capacity 50% | kg | 590 | 680 | 818 | 905 |
| ROC with counterweights 50% | kg | 635 | 725 | 863 | 950 |
| Tipping Load | kg | 1.179 | 1.361 | 1.633 | 1.814 |
| Lift Cylinder Breakout Force | KN | 19,0 | 19,0 | 12,2 | 11,6 |
| Bucket Cylinder Breakout Force | KN | 18,5 | 18,5 | 24,2 | 31,8 |
| ENGINE | | | | | |
| Displacement | l | 2,0 | 2,0 | 2,2 | 2,2 |
| Horsepower | hp | 46 hp @ 2.900 rpm | 52 hp @ 2.900 rpm | 60 hp @ 2.900 rpm | 60 hp @ 2.900 rpm |
| Peak torque | Nm | 130,5 Nm @ 1.750 rpm | 148 Nm @ 1.750 rpm | 171 Nm @ 1.800 rpm | 171 Nm @ 1.800 rpm |
| TRAVEL SPEED | | | | | |
| Low Range | km/h | 10,8 | 10,8 | 11,9 | 12,1 |
| High Range (Optional) | km/h | NA | NA | 18,5 | 19,0 |
| HYDRAULIC SYSTEM | | | | | |
| Pump flow | LPM | 59 | 59 | 72 | 72 |
| Optional high flow | LPM | N/A | N/A | 108 | 108 |
| Relief Pressure | bar | 207 | 207 | 207 | 207 |
| WEIGHTS | | | | | |
| Operating Weight | kg | 2.270 | 2.400 | 2.660 | 2.900 |
| Shipping Weight | kg | 2.130 | 2.270 | 2.520 | 2.765 |
| SERVICE CAPACITY | | | | | |
| Fuel Tank | l | 60,5 | 60,5 | 75,5 | 75,5 |



| | | L223 | L225 | C227 | C232 |
|--|----|-------|-------|-------|-------|
| A - Height to Bucket Hinge Pin | mm | 3.290 | 3.290 | 3.124 | 3.330 |
| B - Height to Top of ROPS | mm | 2.002 | 2.002 | 1.998 | 2.043 |
| C - Length without attachment | mm | 2.993 | 2.986 | 2.669 | 2.993 |
| D - Length with bucket * | mm | 3.631 | 3.624 | 3.292 | 3.631 |
| E - Overall Width | mm | 1.758 | 1.758 | 1.676 | 1.930 |
| F - Wheelbase | mm | 1.322 | 1.322 | NA | NA |
| G - Ground Clearance | mm | 203 | 203 | 203 | 243 |
| H - Dump height * | mm | 2.615 | 2.615 | 2.495 | 2.655 |
| I - Dump Angle | ° | 55° | 55° | 40° | 55° |
| J - Dump Reach @ Max Height | mm | 820 | 820 | 568 | 864 |
| K - Angle of Departure | ° | 24° | 24° | 32° | 32° |
| L - Rollback Angle (Bucket on Ground) | ° | 34° | 34° | 31° | 33° |

| | | L223 | L225 | C227 | C232 |
|--------------------------------|------|--------------------|--------------------|---------------------|-----------------------|
| PERFORMANCE SPECS | | | | | |
| Rated Operating Capacity | kg | 1.020 | 1.135 | 50%:1.225 / 35%:859 | 50%:1.451 / 35%:1.018 |
| ROC with counterweights | kg | 1.110 | 1.225 | 50%:1.280 / 35%:914 | 50%:1.711 / 35%:1.278 |
| Tipping Load | kg | 2.041 | 2.268 | 2.449 | 2.902 |
| Lift Cylinder Breakout Force | KN | 22,6 | 22,6 | 27,3 | 22,0 |
| Bucket Cylinder Breakout Force | KN | 38,2 | 38,2 | 31,8 | 38,2 |
| ENGINE | | | | | |
| Displacement | l | 3,2 | 3,2 | 3,2 | 3,2 |
| Horsepower | hp | 74 hp @ 2.500 rpm | 82 hp @ 2.500 rpm | 74 hp @ 2.500 rpm | 82 hp @ 2.500 rpm |
| Peak torque | Nm | 275 Nm @ 1.400 rpm | 305 Nm @ 1.400 rpm | 275 Nm @ 1.400 rpm | 305 Nm @ 1.400 rpm |
| TRAVEL SPEED | | | | | |
| Low Range | km/h | 12,1 | 12,1 | 9,3 | 9,6 |
| High Range (Optional) | km/h | 19,8 | 19,8 | 13,4 | 13,4 |
| HYDRAULIC SYSTEM | | | | | |
| Pump flow | LPM | 85 | 85 | 85 | 85 |
| Optional high flow | LPM | 131 | 131 | 116 | 131 |
| Relief Pressure | bar | 207 | 207 | 207 | 207 |
| WEIGHTS | | | | | |
| Operating Weight | kg | 3.350 | 3.580 | 3.720 | 4.370 |
| Shipping Weight | kg | 3.200 | 3.430 | 3.585 | 4.220 |
| SERVICE CAPACITY | | | | | |
| Fuel Tank | l | 96,5 | 96,5 | 75,5 | 96,5 |

PARTS AND SERVICE

The New Holland dealer network is, in itself, the best guarantee of continued productivity for the machines it delivers to its customers. New Holland service technicians are fully equipped to resolve all maintenance and repair issues, with each and every service point providing the high standards they are obliged to observe under New Holland's stringent quality guidelines.

The New Holland global parts network ensures fast, reliable, replacement parts for less downtime, increased productivity and, of course, profitable operation for its customers.



AT YOUR OWN DEALERSHIP

The information contained in this brochure is intended to be of general nature only. The NEW HOLLAND KOBELCO CONSTRUCTION MACHINERY S.p.A. company may at any time and from time to time, for technical or other necessary reasons, modify any of the details or specifications of the product described in this brochure. Illustrations do not necessarily show products in standard conditions. The dimensions, weights and capacities shown herein, as well as any conversion data used, are approximate only and are subject to variations within normal manufacturing techniques.

Published by NEW HOLLAND KOBELCO CONSTRUCTION MACHINERY S.p.A.
Printed in Italy - MediaCross Firenze - Cod. 30634GB - Printed 10/11

Printed on recycled paper
CoC-FSC 000010 CQ Mixed sources



www.newholland.com

